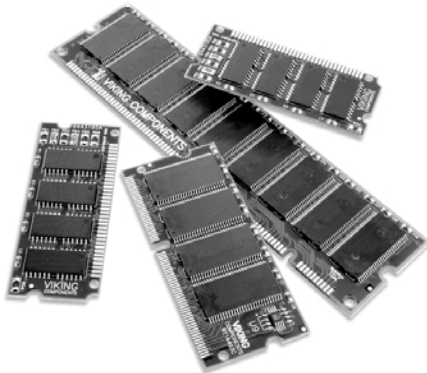


# VIKING MEMORY

## INSTALLATION GUIDE

COMPAQ®  
ProLiant 800 & 850R Server



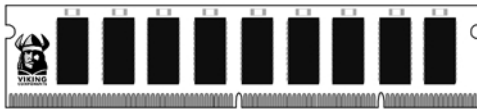
Manual No. 1005165 • Release 04/99, Rev. D

**SPEED • POWER • PERFORMANCE**®

The Compaq ProLiant 800 and 850R Server come standard with 32MB of removable memory. They can be expanded to a maximum of 512MB\* by installing the following Viking Components memory options into their four available expansion slots.

Description	Viking P/N
64MB ECC EDO DIMM	C5483, RC5483
128MB ECC EDO DIMM	C5484, RC5484

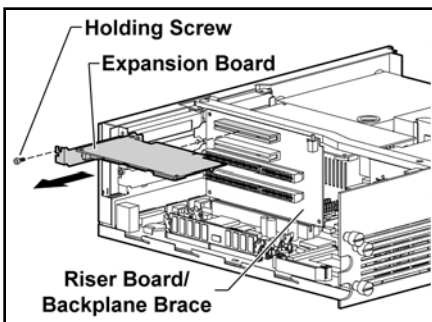
\*Requires the removal of all of the standard memory.



**Caution:** Electro Static Discharge (ESD) can damage electronic components. Before touching the memory module, ensure that you are discharged of static electricity by touching a grounded metal object.

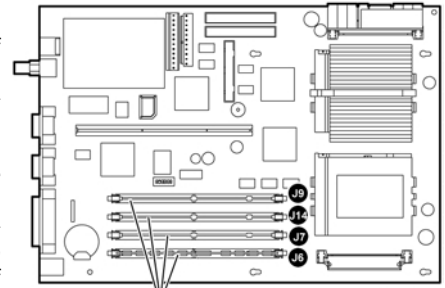
### INSTALLATION INSTRUCTIONS:

1. Perform a system shutdown according to your operating system and network procedures. Turn the server off.
2. Turn off and disconnect any peripheral devices connected to the sever. Unplug the AC main power cord from the outlet and then from the back of the server.
3. If your server is a rack mounted, please refer to your server's "Owner's Manual" for detailed instructions on how to remove the server from the rack.
4. Remove the side access panel (ProLiant 800) or cover (ProLiant 850R) form the server. If you are not familiar with this procedure, please refer to your server's "Owner's Manual" for detailed instructions. To help prevent damage to components from static electricity, attach the supplied wrist strap to your wrist and to the system chassis.
5. Locate the backplane brace (ProLiant 800) or the riser board (ProLiant 850R) towards the center of the system board. For a ProLiant 800, the backplane brace will need to be removed. To remove the



backplane brace, grasp it at both ends and pull the brace out of the server chassis. **Note:** Use care when guiding the assembly out of the unit to prevent damaging the boards. For the ProLiant 850R, the expansion boards above the memory expansion slots will need to be removed from the riser board. To remove an expansion board, first remove its holding screw. Then remove the expansion board by firmly pulling it out of its slot.

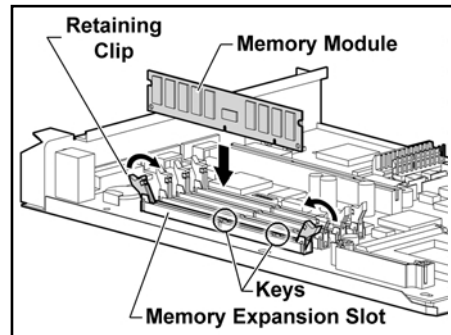
6. Locate the four memory expansion slots towards the rear of the system board. The slot closest to the side of the system board is labeled "J6." This slot will have the standard removable memory module occupying it and must always be occupied with a minimum of a 32MB module. The next slot will be labeled "J7," with "J14" and "J9" following. The recommended order of installation is also the same. Any combination of DIMMs may be used as long as they have the same speed.



Memory Expansion Slots

7. If you are upgrading your server to 512MB, the standard memory module or modules will need to be removed. If you are not removing any memory modules, please proceed to step 8. To remove a memory module, push down the retaining clips on both sides of the expansion slot to release it. Then lift the memory module out of its slot.

8. To install a memory module, open retaining clip on each side of the expansion slot. Then align the module's notches with the corresponding keys in the slot. Insert the module straight down into the expansion slot and then push the locking tabs towards the module until they click into place.



Memory Expansion Slot

9. If your system is a ProLiant 800, replace the expansion backplane brace to its original position. For the ProLiant 850R, replace any expansion boards that you may have removed and be sure to secure any screws that you may have removed.

10. Replace the side access panel (ProLiant 800) or cover (ProLiant 850R) to its original position. Be sure to replace and secure any screws that you may have removed. If your system is a ProLiant 850R, return it to the original position on its rack.

11. Reconnect any peripheral devices that you may have disconnected. Plug the AC main power cord into the system, then into a grounded AC outlet. Turn on any peripheral devices supported by the server.

12. Turn the server on. The system will automatically reconfigure itself to recognize the newly added memory. The new memory can be verified during the POST routine at start-up.

The installation is now complete.

### WARRANTY & DISCLAIMERS:

All Viking Components products have been thoroughly tested free of defects in material and workmanship. If any malfunction should occur while using one of our products in its recommended environment, Viking, at its option, will repair or replace the product at no charge, provided the product or any part thereof has not been abused, misused, neglected, replaced, repaired or modified. Viking shall make the final determination as to the existence and the cause of any defect. Viking will not repair or replace products designated as having a "Limited Lifetime" which fail solely because their estimated life has expired. No warranty is made with respect to customer products produced to original purchaser specifications except as specifically stated in writing by Viking.

All shipping costs shall be the responsibility of the purchaser.

Except as provided herein, there are no express or implied warranties of merchantability or fitness for a particular purpose. Under no circumstances will Viking Components be liable in any way to the purchaser for any damages, including but not limited to lost revenue, lost wages, or any other incidental or consequential damages arising out of the use of or inability to use this product. Viking reserves the right to make modifications in both hardware and software without prior notifications. All Viking Components are 100% guaranteed compatible with the OEM machines for which they are designed. All OEM's names, trademarks and part numbers are used for identification purposes only, and in no way imply that any of our products are original equipment parts.

Compaq and ProLiant are registered trademarks of Compaq Computer Corporation.

Product names mentioned herein may be trademarks or registered trademarks of their respective companies.